

xia-1c VESA adapter

Assembly instructions

The VESA adapter is compatible with the following Xiaomi (mi.com) products:

1c, G24

The VESA adapter allows you to conveniently mount your XIAOMI brand monitor to a monitor arm with a VESA hole pattern (**75 x 75mm**). Use the included screws and nuts for this.

If you want to mount your VESA adapter directly to the wall, use suitable screws and dowels (**not included**).



Important Safeguards



Please read this manual carefully and keep it for future reference. If you pass the product on to third parties, this manual should always be included. Ignoring these instructions may result in injuries or damage to people and products, for which we cannot accept any liability.

IMPORTANT - KEEP FOR FUTURE REFERENCE.

- The use of this product should always be in accordance with the specified safety instructions.
- Do not install your VESA adapter in combination with the monitor in places where people are located below.
- Do not exceed the maximum weight of the compatible monitor models, as this may result in serious injuries or property damage.
- Pay attention to the maximum ambient temperature of 35°C when using the product.
- Do not mount the VESA adapter near a heat source or in direct sunlight, as this may cause the adapter to overheat.
- Check if your mounting point (e.g., monitor arm) can support the weight of the monitor with the VESA adapter.
- The product is designed exclusively for mounting with a hole pattern of 75x75 / 100x100mm / 200x200mm.
- After installing the VESA adapter, the position of the monitor must be readjusted to ensure proper ergonomics.

WARNING

Ensure that the device is turned off and disconnected from the power supply before installation to avoid possible injuries or damage.

1. Before First Use

Check the product carefully for possible transport damage and for the absence of accessories, such as screws, which should be included in the scope of delivery.

CAUTION

Make sure that packaging materials and small screws and parts contained therein are inaccessible to children to minimize the risk of choking and other risks.

2. Maintenance and Cleaning

2.1 Maintenance

- It is recommended to check every three months that all screws are still tight. Also, regularly check the condition of all components of the product.
- Store the product in a cool and safe place, ideally at a maximum storage temperature of 40°C. For additional safety, keep the product away from children and preferably in its original packaging.

- Avoid any vibrations and shocks so as not to affect the life and functionality of the product.

2.2 Cleaning

- No corrosive or hot cleaning agents should be used to clean the product. Likewise, wire brushes, metal or other sharp materials are unsuitable for cleaning and should not be used.
- For gentle and effective cleaning, the use of a soft, damp cloth is recommended.

3. Waste Disposal

For the disposal of this product we recommend to contact the responsible local authorities or disposal services. They can provide you with detailed information on available disposal options and recycling centers in your area.

4. Manufacturer Information

3idee S.à r.l.
19 Rue de Bitbourg
L-1273 Luxembourg
Luxembourg

mail: info@3idee.eu

5. Help and Feedback

If you need help with your article, we are here for you. We also appreciate any feedback.

<https://help.3idee.eu/en/contact>

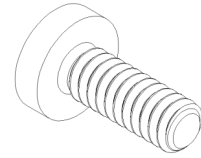
Scope of Delivery Accessories



4x M4x14 Screw with cross recess (**SP5** or **SP1**)



4x M4 Nut with flange (**SP5** or **SP1**)



2x M3x8 Screw with cross recess (**SP5**)

Horizontal / Vertical Alignment

Please note: Not all VESA adapters and monitors are designed for vertical (upright) orientation. This limitation is often due to the specific geometry of the adapter or monitor. Do not ignore this information, as the load limit of the adapter can quickly be exceeded if not installed properly.

We are continuously working on developing monitors and adapters that are also suitable for vertical orientation.

However, monitors are designed for horizontal alignment by default.

**Horizontal
Mounting: YES**



**Vertical
Mounting: YES**



Assembly Instruction

Step 1

Remove the base of your monitor if it is already attached.

Step 2

⚠ Important: If the instructions in this step are not suitable for your device, please follow the mounting guidelines of the manufacturer of your monitor arm or swivel arm to mount the monitor to the wall or swivel arm.

Mount the adapter on the VESA connection of your monitor arm or directly on the wall. (Figure 1)

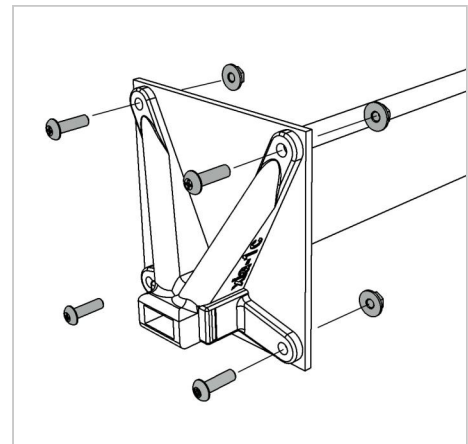


Figure 1

Step 3

Once you have completed the last step, please check if all screws are tightened. (Figure 2)

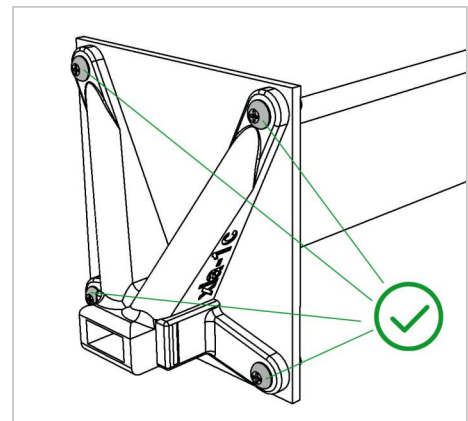


Figure 2

Step 4

Now insert the metal part of the monitor into the VESA adapter with one hand and hold the VESA arm with the other hand. (Figure 3) **Please make sure that you secure the monitor well with your hand while it is not fully screwed.**

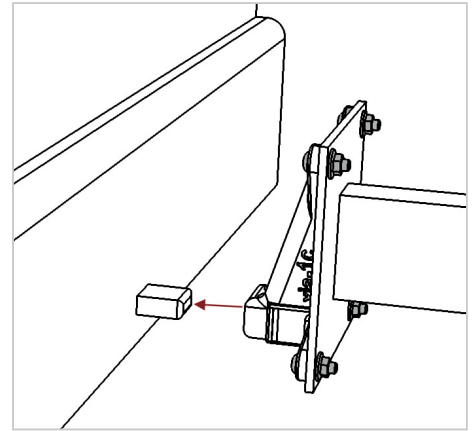


Figure 3

Step 5

Now continue to hold the monitor in the VESA adapter with one hand and secure the monitor with the supplied screws (**SP5**) with the other hand. The **markings** on the side (**red**) serve as a guide for the position of the holes under the VESA adapter. (Figure 4)

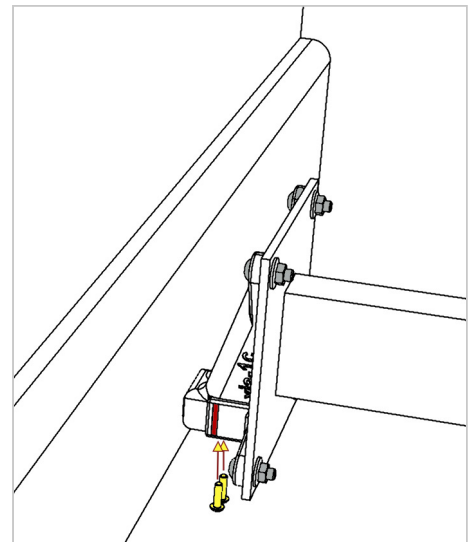


Figure 4